

Capacities/Specifications

Series CBL and SC PRESSURE BLOWERS can be specified with a totally-enclosed TE 3450 rpm ball-bearing type motor in your choice of the voltages shown in Table 1.

Table 1: Available Voltages

Blower		115/230/1/60	230/460/3/60	575/3/60
CBL	All	X	X	X
SC	8 OSI	not available	X	net extra

Capacities are shown in Table 2 below. At the left side of the table, the nominal pressure range is indicated based on total pressure (static plus velocity pressures) using test systems in accordance with AMCA Standard 210-67 and based on 1.0 service factor.

Blower designation is 2-part for CBL, 3-part for SC.

- Letters CBL or C
- Nominal on-ratio system capacity in thousands of Btu/hr
- Nominal pressure rating (osi), except CBL

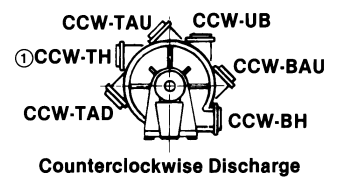
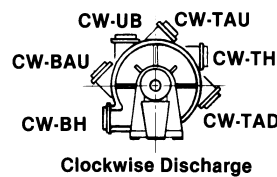
Rated CFM (60 Hz operation) and discharge connection size (in inches) are shown for each available blower. Optional silencers and/or filters (when clean) cause no significant reduction in pressure or volume. 50 Hz operation will give lower rotational speed and so reduced pressure (approximately .69 times 60 Hz rating) and reduced flow (approximately .83 times 60 Hz rating).

Sound level columns indicate test readings taken at the location shown in dimensional page, both with and without silencer and using rating scale dB(A).

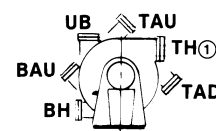
The balance of the table indicates motor horsepower and frame for each of the blower designations.

Alternate discharge positions include the many variations shown below. Select the appropriate sketch based on your blower designation.

Series CBL



C-1860-8 Through C-9360-8



① Standard unless specified otherwise.

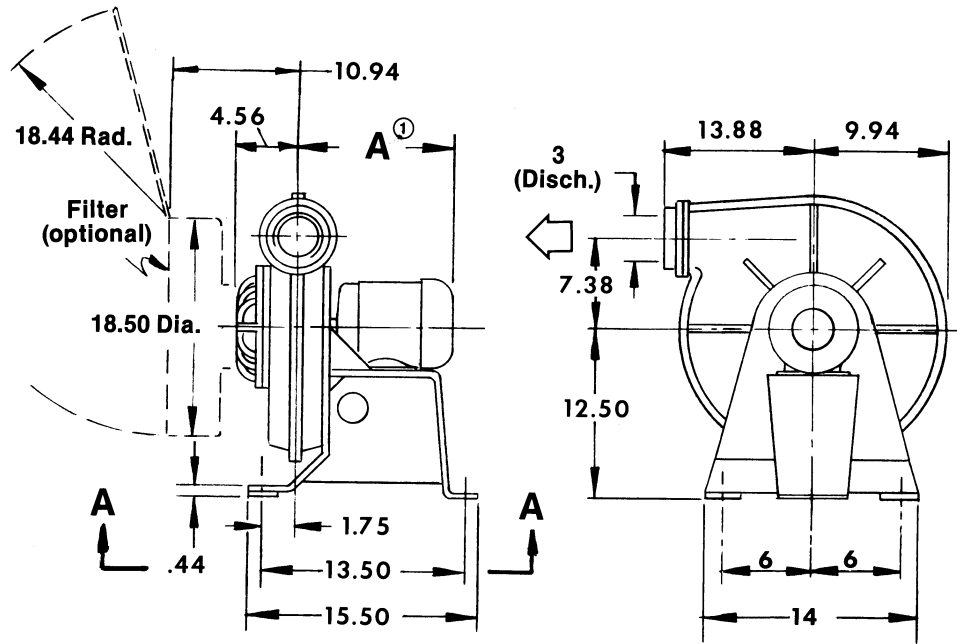
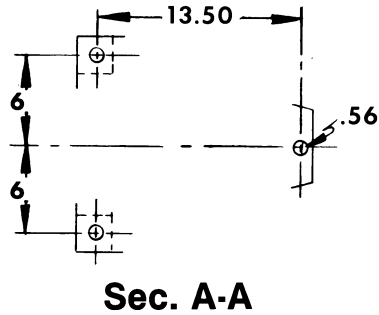
Table 2: Capacities/Specifications (60 Hz)

Blower Description			Capacity (SCFM)	Motor		Sound Level, dB(A)	
Series	Pressure	Designation	TE at 100%	HP	TE Frame	Blower only	w/Silencer
CBL	6 OSI	CBL-900	150	1/2	48	Silencer Not Available	
		CBL-1020	170	3/4	56		
		CBL-1300	220	3/4	56		
		CBL-1650	275	1	56		
SC	8 OSI	C-1860-8	310	1-1/2	143T	83	71
		C-2520-8	420	2	145T	84	73
		C-4350-8	725	3	182T	89	77
		C-7320-8	1220	5	184T	96	82
		C-9360-8	1560	7-1/2	213T	98	85

Dimensions (nominal, in inches)

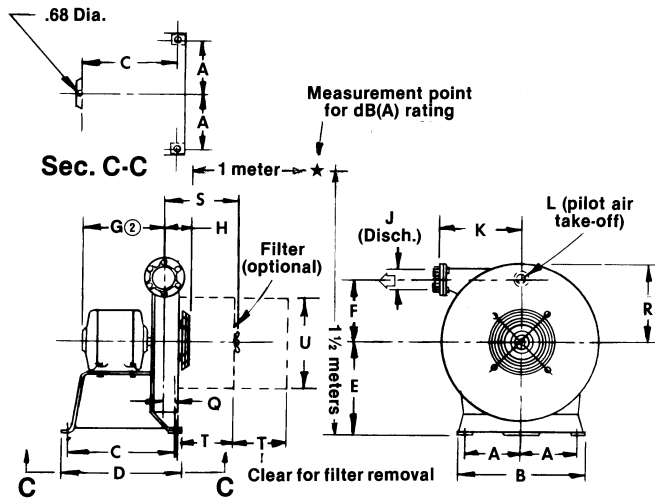
For Series CBL Blowers

Blower Designation	"A" Dimension [1]
CBL-900	10.94
CBL-1020	13.44
CBL-1300	13.44
CBL-1650	14.94



[1] Not certified. Per manufacturer's data for TE motor at time of printing.

For Series SC Blowers



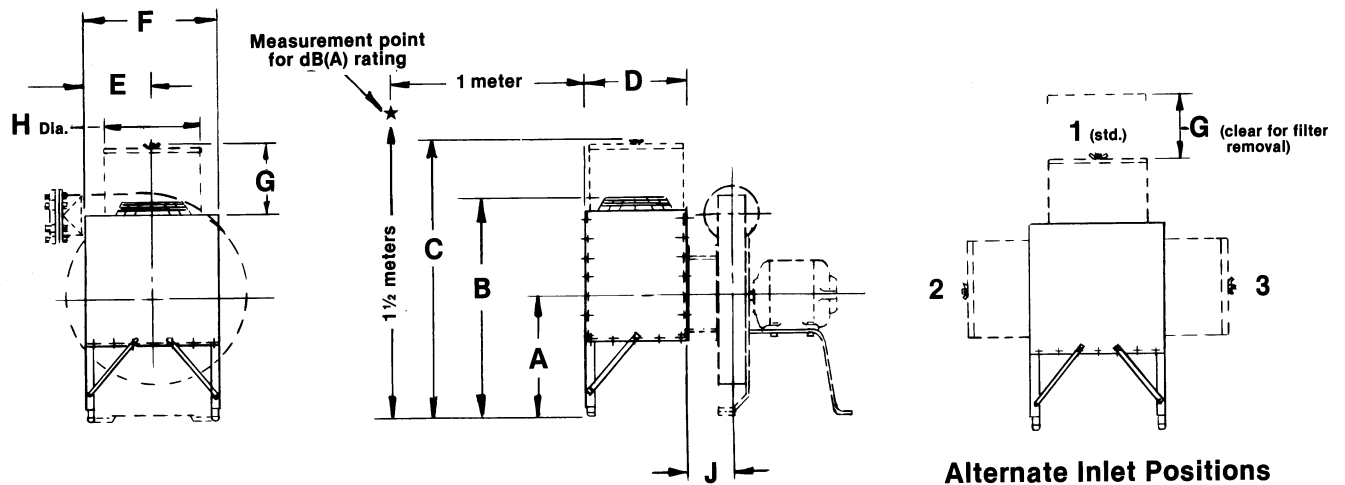
For silencer dimensions, see page 9205.
Standard filter shown, see page 9205.

Size	A	B	C	D	E	F	G [2]	H	J	K	L	Q	R	S	T	U
C-1860-8	8.25	18.5	14.5	16.5	14.44	10.25	10.62	3.75	4	12.87	1-1/4	.50	12.5	8.38	6.88	16.0
C-2520-8	8.25	18.5	14.5	16.5	14.44	10.25	11.56	3.75	4	12.87	1-1/4	.50	12.5	8.38	6.88	16.0
C-4350-8	8.25	18.5	14.5	16.5	14.44	9.25	11.44	3.88	6	14.38	1-1/2	.38	12.5	8.5	6.88	16.0
C-7320-8	8.25	18.5	18.0	20.0	16.38	8.25	12.31	4.25	8	16.25	1-1/2	1.38	12.5	11.0	9.0	17.0
C-9360-8	8.25	18.5	18.0	20.0	16.38	8.25	13.31	4.25	8	16.25	1-1/2	1.38	12.5	11.0	9.0	17.0

[2] Not certified. Per manufacturer's data for DP motor at time of printing. Add 1.25" for TE motor.

Dimensions (nominal, in inches)

For Inlet Silencer Assemblies (with Series SC Blowers)

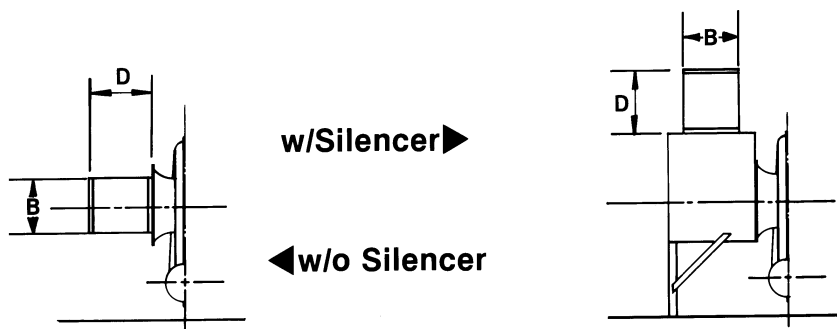


*Note: Silencer inlet furnished in position "1" unless "2" or "3" is specified.
Standard filter shown. For Permanent filter, see below.*

Size	A	B	C	D	E	F	G	H dia.	J
C-1860-8	14.44	26.56	31.19	16.0	8.0	16.0	6.88	16.0	5.38
C-2520-8	14.44	26.56	31.19	16.0	8.0	16.0	6.88	16.0	5.38
C-4350-8	14.44	31.56	36.19	16.94	11.0	22.0	6.88	16.0	5.5
C-7320-8	16.38	35.0	41.75	17.94	12.0	24.0	9.0	17.0	6.88
C-9360-8	16.38	35.0	41.75	17.94	12.0	24.0	9.0	17.0	6.88

Permanent Filters (with Series SC Blowers)

Assembly Number	B	D
35567	12.13	10.4
35568	12.13	14.0



Notes